



MC 100 Industrial Motor Control

Subject: The course is an introduction to basic two and three wire control circuits used for the starting and control of motors.

Goal: Students will learn the theory and hands-on application of basic 2 and 3-wire motor control. This course uses a lab environment where the students will actually wire real world devices using their own hand tools to simulate installations in the field.

Instructor: Jason McCord, JATC instructor.

Hours: 4:00 – 8:00 pm.

Length: 8 weeks

Schedule: Once a week, Thursday night

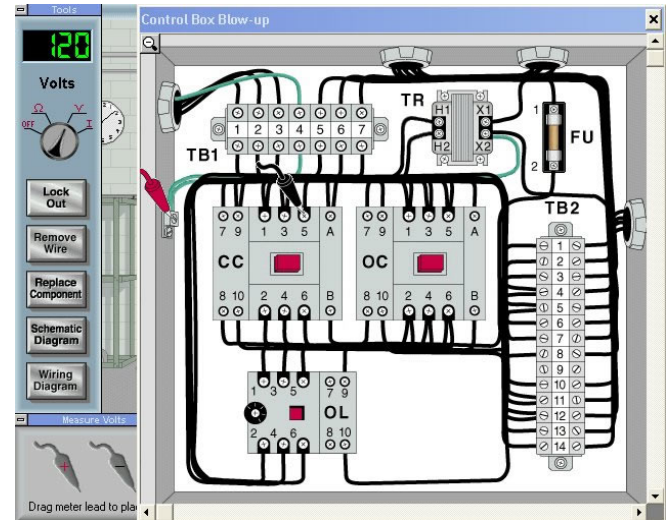
Required materials: Students must supply their own wire strippers, Volt-Ohm meter, instrument screwdriver (1/8") and larger 1/4" slotted and 1/4" Phillips screwdrivers.

Textbook and workbook required:

Holt's Basic Motor Control Text, \$45.00 + tax.

Course Dates:

Start Date End Date
August 26, 2010 **October 14, 2010**



Registration starts
Now

Registration may be done in person or you can call the Training Center at (714) 245-9988 and we will mail a registration form by mail. You must fill out a Santa Ana Canyon College and Course Registrations Forms.

All registrants must be members in good standing of the IBEW Local 441 or Orange County Chapter of NECA.

Location:

Orange County Electrical JATC Training Center
717 S. Lyon St. Santa Ana, CA 92705

Students will receive a certificate upon completion for CEU's.